

FIRE DAMPER



Fire damper is a device installed in HVAC air distribution system. Designed to close automatically upon detection of heat interrupting airflow and thereby restricting the passage of fire in the process. Fire dampers are installed in fire rated walls/barriers/partitions. Fire Dampers are designed to give better safety of human life and property. Fire damper protect individual rooms or zones by cell off any supply are extract air, thus preventing the spread of fire or smoke through the HVAC system

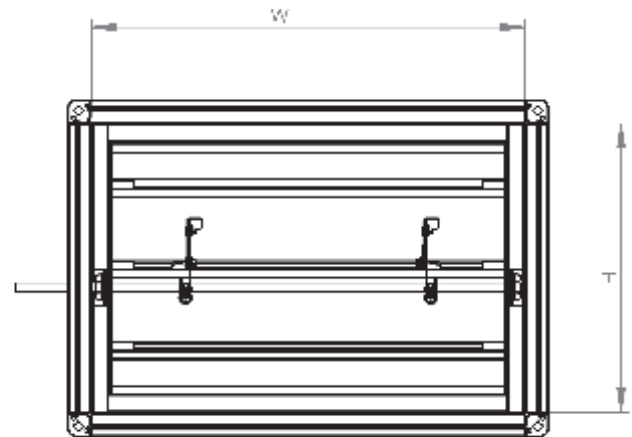
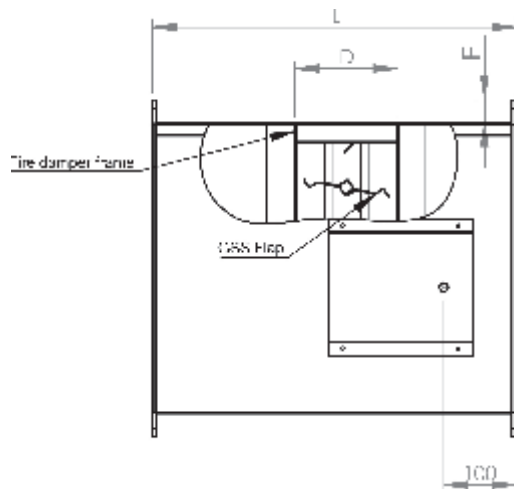
TYPES OF FIRE DAMPERS

MOTOR OPERATED

FUSIBLE LINK TYPE

Construction:

- Fire damper frame and blade are made from 1.6 mm thick high quality galvanized steel sheet.
- The blades are designed with v type edge grooves for leak proof blade interlocking.
- Flaps are mounted on the bushed bearings provided on the frame.
- All the flap mounting shafts are connected with linkage for smooth open and closing operation.
- Operating shaft is mounted on ball bearings for high-speed closing when required.
- Operating shaft and blades connected with specially designed link assembly.
- Damper assembly is installed in duct Sleeve of 20g GSS with TDF on both the sides



NOMENCLATURE

- H - 150 mm to 1000 mm with multiples of 50 mm.
W - 250 mm to 2500 mm with multiples of 50 mm.
D - Damper Frame 140 mm.
L - Sleeve length.
F - TDF width 32 mm